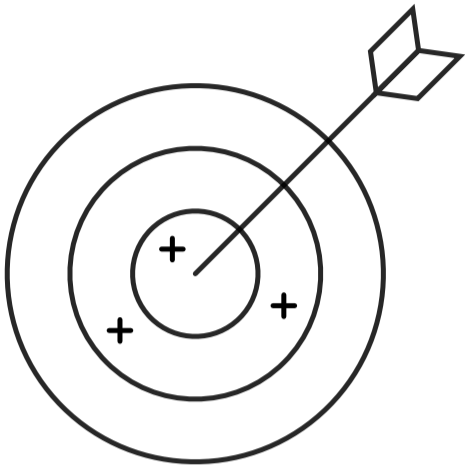
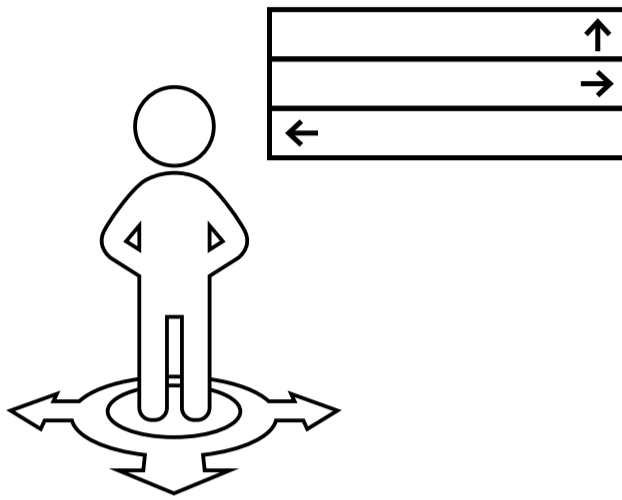


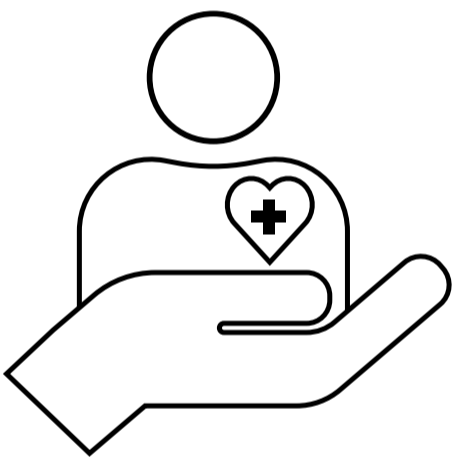
# SIX LEARNINGS OF DIGITALIZING WITH CARE



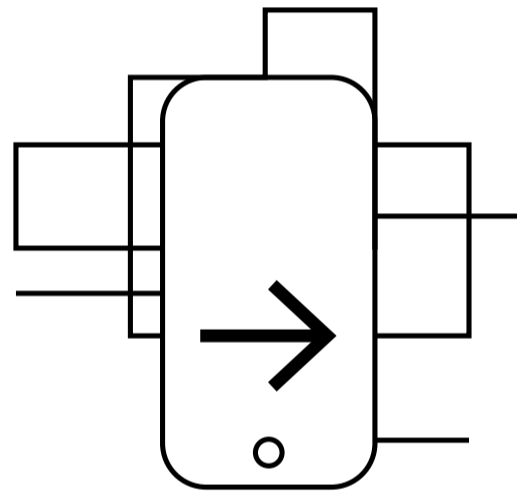
1. Know your objectives and calibrate expectations



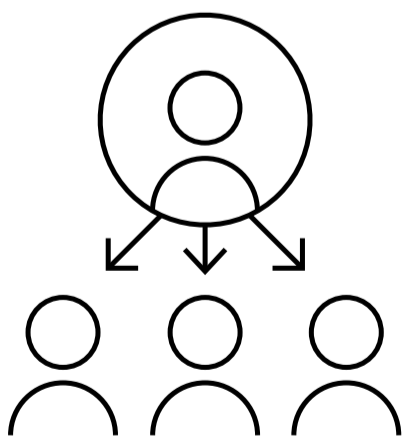
2. Create a well-functioning physical baseline



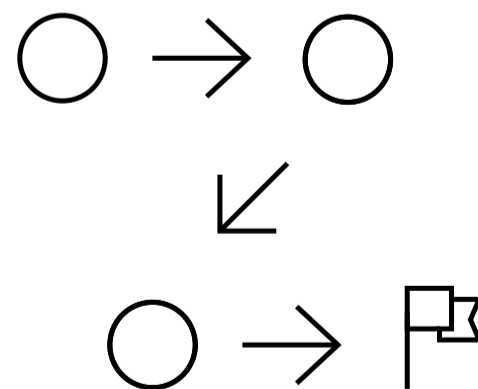
3. Aim for purpose and user - not technology-driven solutions



4. Respect the complexity of the backend while keeping user interface simple



5. Engage stakeholders and prototype throughout



6. Take small steps, one at the time, and make it a learning experience